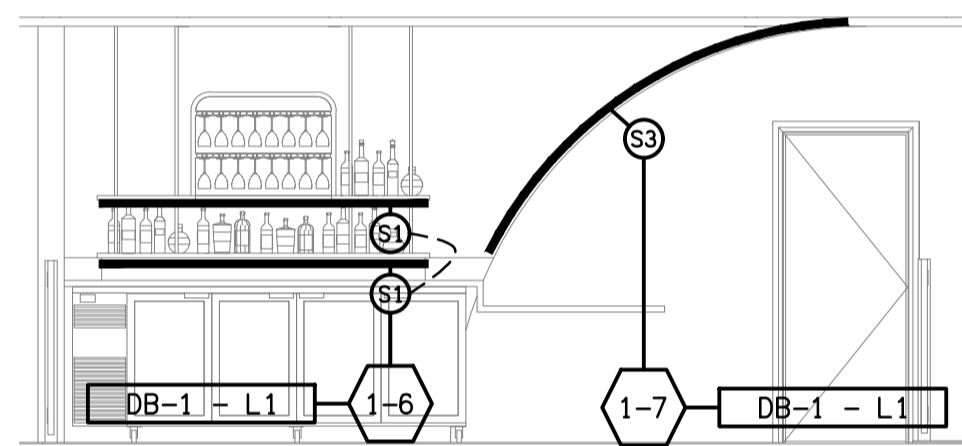
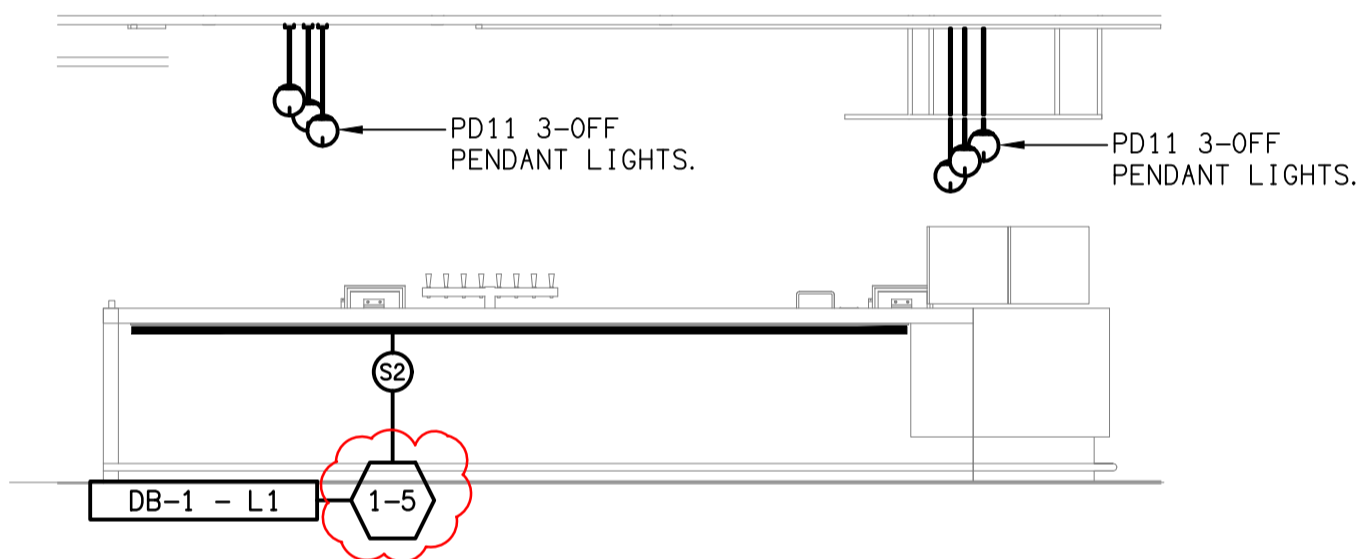


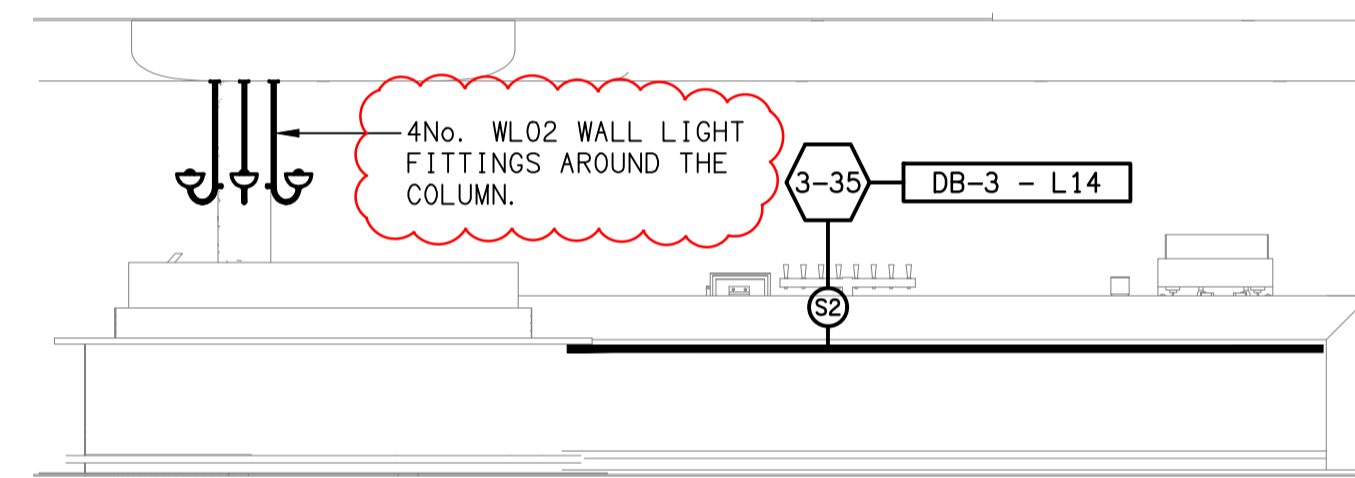
REFERENCE PLAN
 JOINERY LIGHTING
 SCALE 1:100



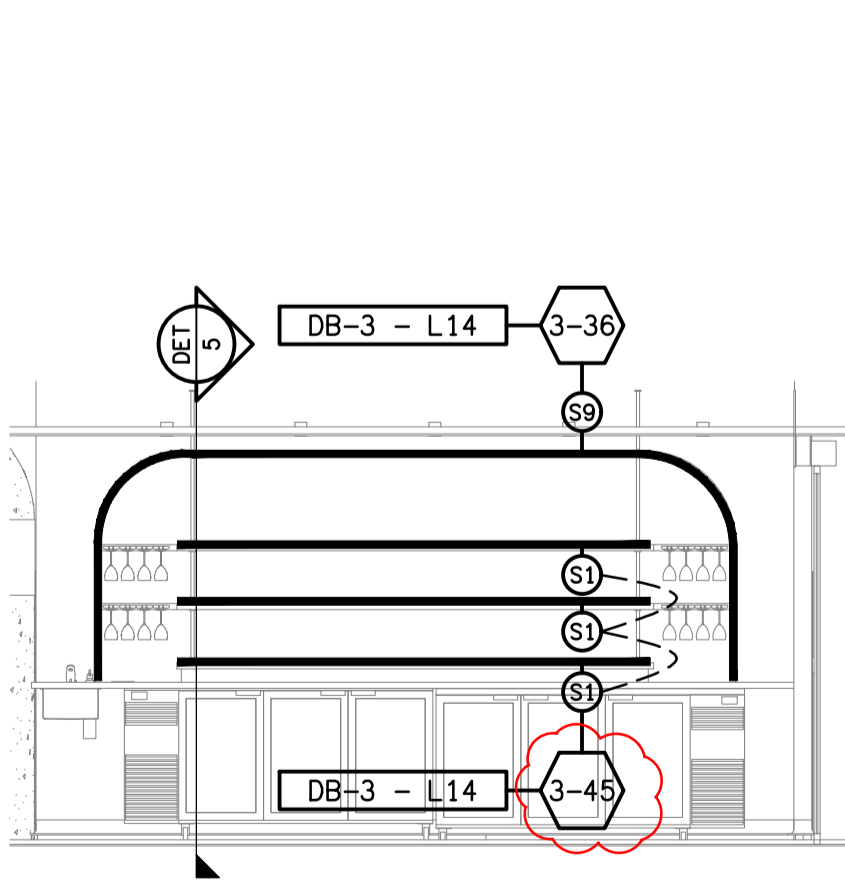
DETAIL 1
 GAMING BAR REAR WALL ELEVATION
 SCALE 1:50



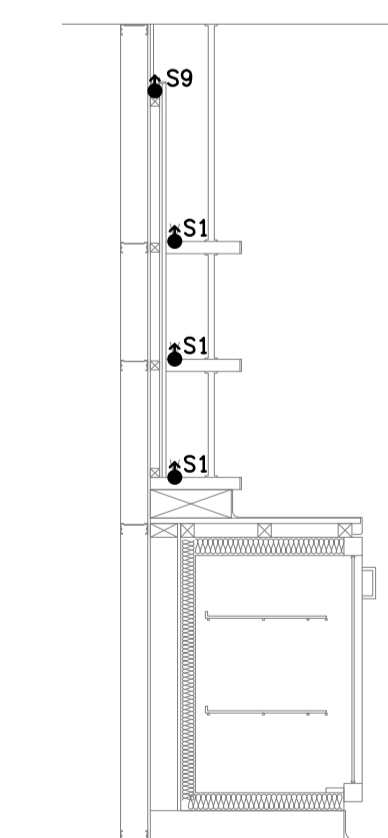
DETAIL 2
 GAMING BAR COUNTER ELEVATION
 SCALE 1:50



DETAIL 3
 BAR COUNTER ELEVATION
 SCALE 1:50



DETAIL 4
 BAR REAR WALL SHELVING ELEVATION
 SCALE 1:50



DETAIL 5
 BAR REAR WALL SHELVING SECTION
 SCALE 1:25

ELECTRICAL DESIGN GROUP BRISBANE
 PTY LTD
 ACN 092 710 793
 TRADING AS:
 ELECTRICAL DESIGN GROUP

THE COPYRIGHT OF THIS DRAWING
 REMAINS THE PROPERTY OF THE
 ELECTRICAL DESIGN GROUP.
 USE FIGURED DIMENSIONS
 IN PREFERENCE TO SCALE.
 ALL DIMENSIONS TO BE
 VERIFIED ONSITE.

ELECTRICAL DESIGN GROUP
 ELECTRICAL BUILDING SERVICES CONSULTANTS
 BRISBANE GOLD COAST

P.O. Box 15, Sherwood Q.4075
 Phone: (07) 3278 4375
 Email: brisbane@edg.net.au
 Web: www.edg.net.au

PROJECT:
**REDLANDS SPORTING CLUB
 REFURBISHMENT**
 ANSON ROAD, WELLINGTON POINT, QUEENSLAND

C	TENDER	04/06/2024
REV:	DESCRIPTION:	DATE:

DRAWING:
**ELECTRICAL SERVICES
 JOINERY LIGHTING DETAILS**

SCALE:
 1:100 & 1:50 UNO AT A1

PROJECT NO:
C3204a

DRAWING NO:
E07

REVISION:
C